

FITTING INSTRUCTION

Clamp mark in acc. with		Cables joining
ISO	PN	
1	L	Left directional lights
2	+	Rear fog lights
3	31	Ground
4	R	Right directional lights
5	58R	Right side parking lights
6	54	Stoptlights
7	58L	Left side parking lights

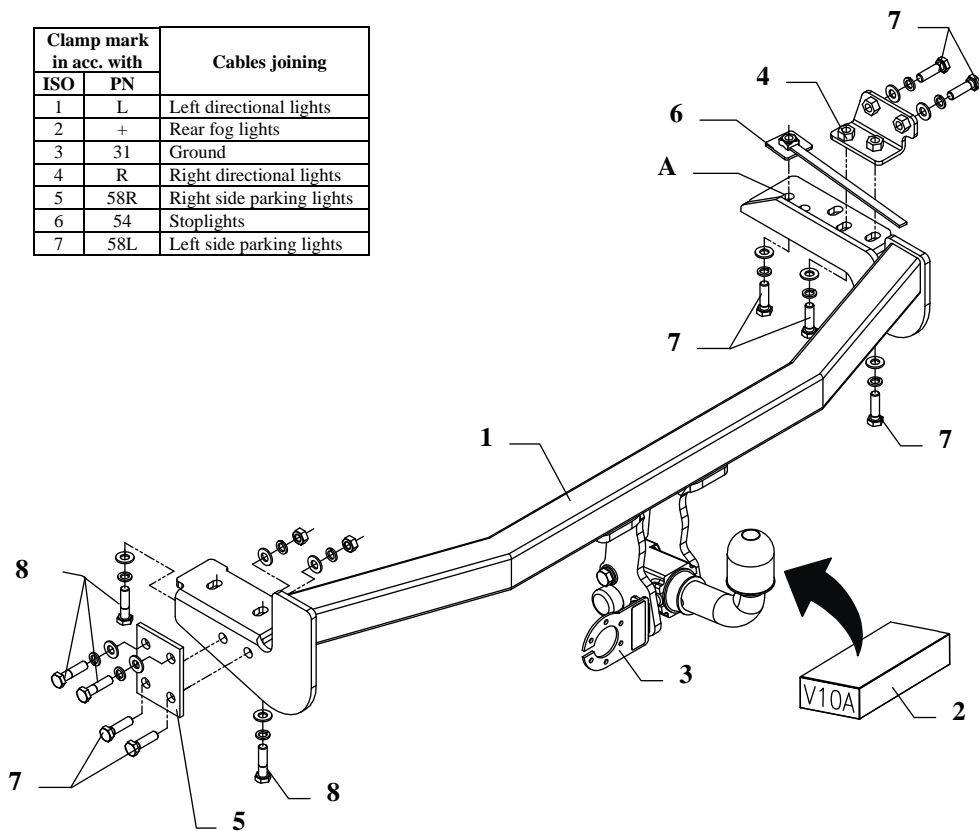


Fig. 1

This towing hitch is designed to assembly in following cars: **NISSAN ALMERA N15, 3/5 door**, produced since 09.1995 till 03.2000, catalogue no. **V10A** and is prepared to tow trailers max total weight **1600 kg** and max vertical mass **75 kg**.

From manufacturer

Thank you for buying our product. Their reliability has been confirmed in many tests. Reliability of towing hitch depends also on correct assembly and right operation. For this reasons we kindly ask to read carefully this instruction and apply to hints.

The towing hitch should be install in points described by a car producer.

The instruction of the assembly

1. Disassemble the bumper.
2. Get lower the muffler and unfix the thermal shield.
3. Disassemble original tow eye (not used any more).
4. Apply the main bar of the towing hitch (pos. 1) to the automobile frame and fix it on the left side using bolts M10x1,25x40mm – pos. 8 (in place of original tow handle as showed on the drawing). On the right side to chassis member insert the jib with the nut (pos. 6) and fix through the hole of the towing hitch A using bolt M10x35mm (pos. 7) as showed on the drawing.

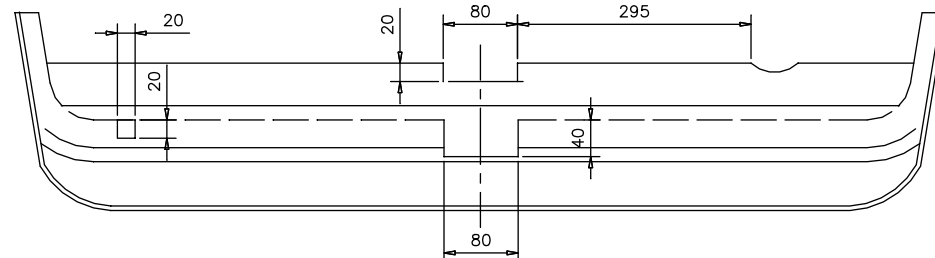


Fig. 2

5. Then into the chassis member insert the angle bar (pos. 4) and fix it with the towing hitch through the fabric holes in the chassis member.
5. Fix the thermal shield on the handle of the towing hitch using bolts M8x30mm (pos. 9) from the accessories and apply the silencer.
6. Install the bumper after cut out its fragment (20x80mm) in lower part of it and in the internal support two fragments (80x40mm and 20x20mm) as showed on the drawing.
7. Fix body of the automat and place tow-ball according to supplied instruction. Note! Remember to place socket plate (pos. 3) as shown on the drawing 1.
8. Tighten all bolts according to the torque shown in the table.
9. Connect electric wires of 7-poles socket according to the instruction of the car. (Recommend to make at authorized service station).
10. Complete paint layer damaged during installation.

Torque settings for nuts and bolts (8,8):	
M 8 - 25 Nm	M 10 - 55 Nm
M 12 - 85 Nm	M 14 - 135 Nm

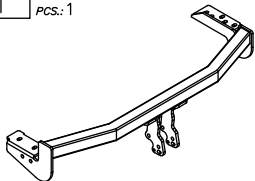
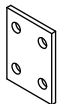

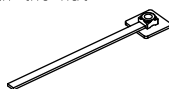




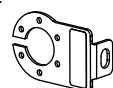


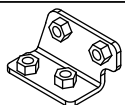
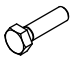

NOTE

After install the towing hitch you should get adequate note in registration book (at authorised service station).The car should be equipped with:

- Indicators
- Tow mirrors

After 1000km check all bolts and nuts. The ball of towing hitch must be always kept clear and conserve with a grease.

Towing hitch accessories:

Pos. 1	Main bar PCS.:1		Pos. 5	Plate PCS.:1		Pos. 10	Nut 8 B PCS.:2 Dim.: M10	
			Pos. 6	Jib with the nut PCS.:1		Pos. 11	Washer PCS.:2 Dim.: $\phi 24 \times \phi 8.4 \times 2 \text{mm}$	
Pos. 2	Tow ball (mounting set) PCS.:1		Pos. 7	Bolt 8,8 B PCS.:7 Dim.: M10x35mm		Pos. 12	Plain washer PCS.:11 Dim.: $\phi 10,5 \text{ mm}$	
Pos. 3	Socket plate PCS.:1		Pos. 8	Bolt 8,8 B PCS.:4 Dim.: M10x1,25x40mm		Pos. 13	Spring washer PCS.:11 Dim.: $\phi 10,2 \text{ mm}$	
Pos. 4	Angle bar PCS.:1		Pos. 9	Bolt 8,8 B PCS.:2 Dim.: M8x30mm		Pos. 14	Spring washer PCS.:2 Dim.: $\phi 8,2 \text{ mm}$	



PPUH AUTO-HAK S.J.

Produkcja Zaczepów Kulowych
Henryk & Zbigniew Nejman
76-200 SŁUPSK ul. Słoneczna 16K
tel/fax (059) 8-414-414; 8-414-413
Email: office@autohak.com.pl
www.autohak.com.pl

Towing hitch (without electrical set)

Class: **A50-X** Cat. no. **V10A**

Designed for:

Manufacturer: **NISSAN**

Model: **ALMERA**

Type: **3/5 door (N15)**

produced since 09.1995 till 03.2000

Technical data:

D-value: 8,09 kN

maximum trailer weight: **1600 kg**

maximum vertical cup mass: **75 kg**

Approval number according to Directive 94/20/EC: e20*94/20*0575*00

Foreword

This towing hitch is designed according to rules of safety traffic regulations. The towing hitch is a safety component and can be install only by qualified personnel. Any alteration or conversion of the towing hitch is prohibited and would lead to cancellation of design certification. Remove insulating compound and underseal from vehicle (if present) in the area of the matting surfaces of the towing hitch. The vehicle manufacturer's specifications regarding trailer load and max. vertical cup load are decisive for driving, and values for the towing hitch cannot be exceeded.

D-value formula:

$$\frac{\text{Max trailer weight [kg]} \times \text{Max vehicle weight [kg]}}{\text{Max trailer weight [kg]} + \text{Max vehicle weight [kg]}} \times \frac{9,81}{1000} = D \text{ [kN]}$$