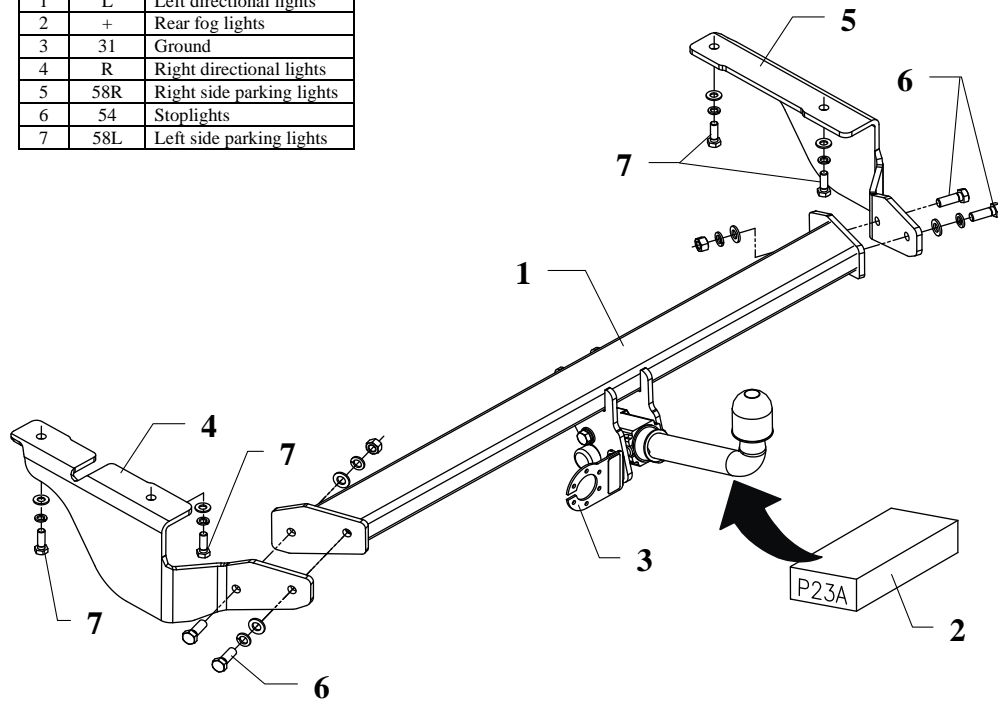


## FITTING INSTRUCTION

| Clamp mark in acc. with |     | Cables joining            |
|-------------------------|-----|---------------------------|
| ISO                     | PN  |                           |
| 1                       | L   | Left directional lights   |
| 2                       | +   | Rear fog lights           |
| 3                       | 31  | Ground                    |
| 4                       | R   | Right directional lights  |
| 5                       | 58R | Right side parking lights |
| 6                       | 54  | Stoplights                |
| 7                       | 58L | Left side parking lights  |



This towbar is designed to assembly in following cars:  
**CITROEN C5 Estate (X42)** produced since 04.2001 till 09.2004,  
 catalogue number **P23A** and is prepared to tow trailers max total weight  
**1600 kg** and max vertical load **85 kg**.

### *From manufacturer*

Thank you for buying our product. Their reliability has been confirmed in many tests. Reliability of towbar depends also on correct assembly and right operation. For this reasons we kindly ask to read carefully this instruction and apply to hints.

*The towbar should be install in points described by a car producer.*

## Fitting instructions

1. Disassemble the plastic part of the bumper (this part is not used any more)
2. Fix the side brackets (pos. 4 and 5) through the original holes using bolts M10x35mm pos. 7 (do it loosely)
3. Slide the bar of towbar (pos. 1) between fixed side brackets then fix it using bolts M12x35mm (pos. 6).
4. Tighten all nuts and bolts according to the torque shown in the table
5. Fix body of the automat and place tow-ball according to supplied instruction. Note! Remember to place socket plate (pos. 3) as shown on the drawing.
6. Connect the electric wires according to the instructions of the car.
7. Complete the paint cover of towbar (during the mounting paint cover could be destroyed).

### Torque settings for nuts and bolts (8,8):

|                    |                     |                     |
|--------------------|---------------------|---------------------|
| <b>M6</b> - 11 Nm  | <b>M8</b> - 25 Nm   | <b>M10</b> - 50 Nm  |
| <b>M12</b> - 87 Nm | <b>M14</b> - 138 Nm | <b>M16</b> - 210 Nm |

### NOTE

After install the towbar you should get adequate note in registration book (at authorised service station).The car should be equipped with:

- Indicators
- Tow mirrors

After 1000km of exploitation check all bolts and nuts. The ball of towbar must be always kept clear and conserve with a grease.

## Towbar accessories:

|           |                                    |           |  |            |   |
|-----------|------------------------------------|-----------|--|------------|---|
| Pos.<br>1 | Name: Main bar<br>Quantity: 1      | Pos.<br>5 | Name: Left bracket<br>Quantity: 1                  | Pos.<br>10 | Name: Plain washer<br>Quantity: 4<br>Dim.: Ø 10,5 mm  |
| Pos.<br>2 | Name: Tow ball<br>Quantity: 1      | Pos.<br>7 | Name: Bolt 8,8 B<br>Quantity: 4<br>Dim.: M10x30mm  | Pos.<br>11 | Name: Spring washer<br>Quantity: 4<br>Dim.: Ø 12,2 mm |
|           |                                    |           |  | Pos.<br>12 | Name: Spring washer<br>Quantity: 4<br>Dim.: Ø 10,2 mm |
| Pos.<br>3 | Name: Socket plate<br>Quantity: 1  | Pos.<br>8 | Name: Nut 8 B<br>Quantity: 2<br>Dim.: M12          | Pos.<br>13 | Name: Ball cover<br>Quantity: 1                       |
| Pos.<br>4 | Name: Right bracket<br>Quantity: 1 | Pos.<br>9 | Name: Plain washer<br>Quantity: 4<br>Dim.: Ø 13 mm |            |   |



## PPUH AUTO-HAK Sp. J.

Produkcja Zaczepów Kulowych  
Henryk & Zbigniew Nejman  
76-200 SŁUPSK ul. Słoneczna 16K  
tel/fax (059) 8-414-414; 8-414-413  
E-mail: [office@autohak.com.pl](mailto:office@autohak.com.pl)  
[www.autohak.com.pl](http://www.autohak.com.pl)

## Towing hitch (without electrical set)

Class: **A50-X** Cat. no. **P23A**

Designed for:

Manufacturer: **CITROEN**

Model: **C5 I**

Type: **ESTATE (X42)**

produced since 04.2001 till 09.2004

Technical data:

**D-value: 8,99 kN**

maximum trailer weight: **1600 kg**

maximum vertical cup load: **85 kg**

**Approval number according to Directive 94/20/EC: e20\*94/20\*0799\*00**

## Foreword

This towing hitch is designed according to rules of safety traffic regulations. The towing hitch is a safety component and can be install only by qualified personnel. Any alteration or conversion of the towing hitch is prohibited and would lead to cancellation of design certification. Remove insulating compound and underseal from vehicle (if present) in the areas of the matting surfaces of the towing hitch. The vehicle manufacturer's specifications regarding trailer load and max. vertical cup mass are decisive for driving whereat values for the towing hitch cannot be exceeded.

*D-value formula:*

$$\frac{\text{Max trailer weight [kg]} \times \text{Max vehicle weight [kg]}}{\text{Max trailer weight [kg]} + \text{Max vehicle weight [kg]}} \times \frac{9,81}{1000} = D \text{ [kN]}$$