

## INSTALLATION INSTRUCTION

Clamp mark in acc. with		Cables joining
ISO	PN	
1	L	Left directional lights
2	+	Rear fog lights
3	31	Ground
4	R	Right directional lights
5	58R	Right side parking lights
6	54	Stoplights
7	58L	Left side parking lights

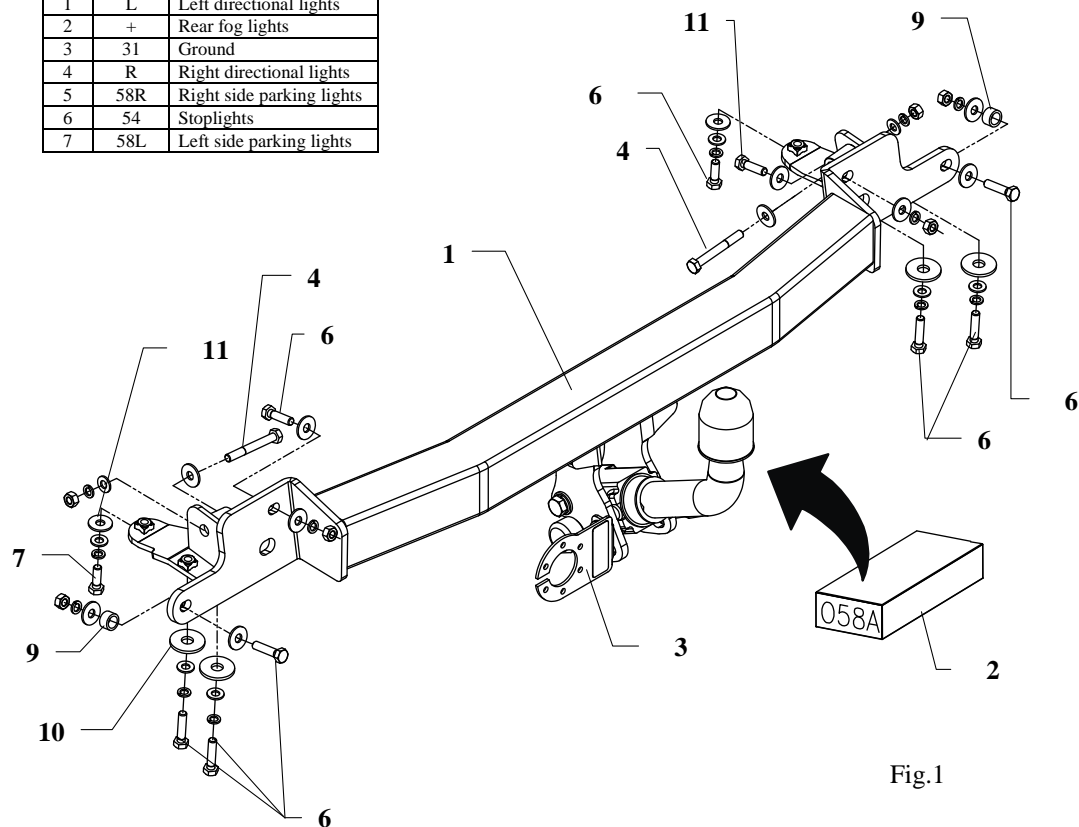


Fig.1

This towbar is designed to assembly in following cars:  
**TOYOTA COROLLA 3/5 doors, (E10)**, produced since 08.1992 till 05.1997 catalogue no. **058A** and is prepared to tow trailers max total weight **1300 kg** and max vertical load **75 kg**.

### *From manufacturer*

Thank you for buying our product. Their reliability has been confirmed in many tests. Reliability of towbar depends also on correct assembly and right exploit. For this reasons we kindly ask to read carefully this instruction and apply to hints.

*The towbar should be install in points described by a car producer.*

## The instruction of the assembly

1. Disassemble a bumper and next take out his reinforcement. In place for reinforcement will be mounted our towbar.
2. Disassemble rear muffler and his fastener.
3. Remove towing eye – not used any more.
4. Slip main bar of towbar (pos. 1) to rear chassis members and screw using bolts, nuts and sleeves – as shown in the figure 1.
5. Assemble fastener and muffler.
6. Assemble bumper after cut his fragment in his lower part.
7. Tighten all bolts according to the torque shown in the table.
8. Fix body of the automat and place tow-ball according to supplied instruction. Note! Remember to place socket plate (pos. 3) as shown on the drawing 1.
9. Connect electric wires of 7-poles socket according to the instruction of the car. (Recommend to make at authorized service station)
10. Complete the paint coating damaged during installation.

Torque settings for nuts and bolts (8,8):

<b>M6</b> - 11 Nm	<b>M8</b> - 25 Nm	<b>M10</b> - 50 Nm
<b>M12</b> - 87 Nm	<b>M14</b> - 138 Nm	<b>M16</b> - 210 Nm

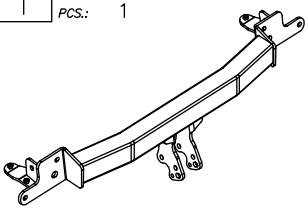
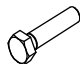

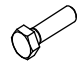

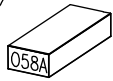
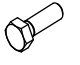

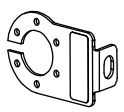


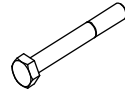



## NOTE

After install the towbar you should get adequate registration in registration book (at authorised service station).The car should be equipped with:

- Indicators
- Tow mirrors

After 1000km of exploitation check all bolts and nuts. The ball of towbar must be always kept clear and conserve with a grease.

## Towbar accessories:

Pos. 1 Name: Main bar PCS.: 1 	Pos. 5 Bolt 8,8 B PCS.: 6 M8x35mm 	Pos. 10 Washer PCS.: 4 Ø37xØ13x3mm 
	Pos. 6 Bolt 8,8 B PCS.: 2 M8x30mm 	Pos. 11 Washer PCS.: 12 Ø24xØ8,4x2mm 
Poz. 2 Tow ball (mounting set) PCS.: 1 	Pos. 7 Bolt 8,8 B PCS.: 2 M8x25mm 	Pos. 12 Plain washer PCS.: 4 Ø13mm 
Pos. 3 Socket plate PCS.: 1 	Pos. 8 Nut 8 B PCS.: 6 M8 	Pos. 13 Plain washer PCS.: 8 Ø8,5mm 
Pos. 4 Bolt 8,8 B PCS.: 2 M8x65mm 	Pos. 9 Sleeve PCS.: 2 Ø17,2x2,35 L=10 	Pos. 14 Spring washer PCS.: 4 Ø12,2 
		Pos. 15 Spring washer PCS.: 12 Ø8,2mm 



## PPUH AUTO-HAK Sp.J.

Produkcja Zaczepów Kulowych  
 Henryk & Zbigniew Nejman  
 76-200 SŁUPSK ul. Słoneczna 16K  
 tel/fax (059) 8-414-414; 8-414-413  
 E-mail: office@autohak.com.pl  
 www. autohak.com.pl

### Towing hitch (without electrical set)

Class: **A50-X** Cat. no. **O58A**

Designed for:

Manufacturer: **TOYOTA**

Model: **COROLLA**

Type: **3/5 doors, (E10)**

produced since **08.1992** till **05.1997**

Technical data:

**D-value: 7,05 kN**

maximum trailer weight: **1300 kg**

maximum vertical cup load: **75 kg**

**Approval number according to Directive 94/20/EC: e20\*94/20\*1148\*00**

### Foreword

This towing hitch is designed according to rules of safety traffic regulations. The towing hitch is a safety component and can be install only by qualified personnel. Any alteration or conversion of the towing hitch is prohibited and would lead to cancellation of design certification. Remove insulating compound and underseal from vehicle (if present) in the areas of the matting surfaces of the towing hitch. The vehicle manufacturer's specifications regarding trailer load and max. vertical cup mass are decisive for driving whereat values for the towing hitch cannot be exceeded.

*D-value formula:*

$$\frac{\text{Max trailer weight [kg]} \times \text{Max vehicle weight [kg]}}{\text{Max trailer weight [kg]} + \text{Max vehicle weight [kg]}} \times \frac{9,81}{1000} = D \text{ [kN]}$$