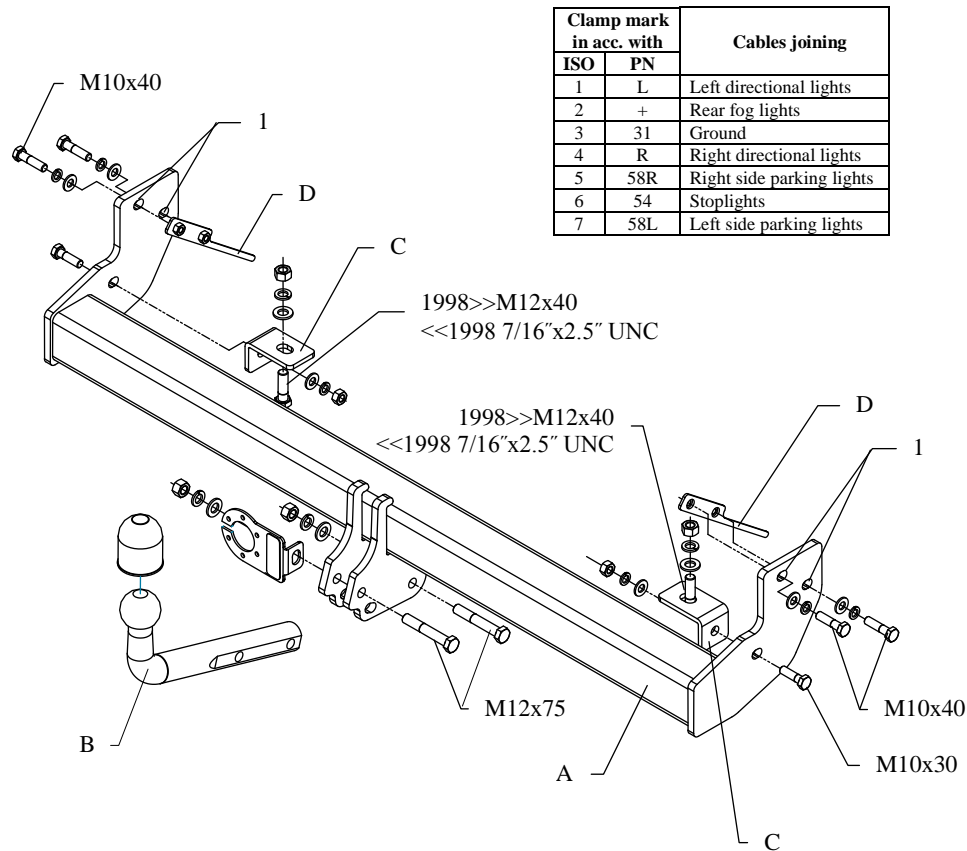


## FITTING INSTRUCTION



Clamp mark in acc. with		Cables joining
ISO	PN	
1	L	Left directional lights
2	+	Rear fog lights
3	31	Ground
4	R	Right directional lights
5	58R	Right side parking lights
6	54	Stoptlights
7	58L	Left side parking lights

## The instruction of the assembly

1. From the left chassis member unscrew original tow handle. From the left chassis member unscrew bumper bolt. Next in this places fix elements pos. C using bolts as shown in the drawing.
2. Put main bar of towing hitch (pos. A) to chassis member (holes pos. 1 must agree to original holes) and fix using elements pos. D.
3. Fix tow-ball (pos. B) and socket plate using bolts M12x75mm from equipment.
4. Tighten all bolts according to the torque shown in the table.
5. Connect electric wires of 7-poles socket according to the instruction of the car. (Recommend to make at authorized service station).
6. Complete the paint coating damaged during instalment.

Torque settings for nuts and bolts (8,8):

<b>M 8</b>	25 Nm	<b>M 10</b>	55 Nm
<b>M 12</b>	85 Nm	<b>M 14</b>	135 Nm

This towing hitch is designed to assembly in following car:  
**JEEP WRANGLER (TJ)**, produced since 08.1996 till 03.2007, catalogue no. **JP 05** and is prepared to tow trailers max total weight up to **2000 kg** and max vertical load **80kg**.

### Foreword

Thank you for buying our product. This towing hitch is design according to rules of safety traffic regulations and their reliability has been confirmed in many tests. Reliability of towing hitch also depends on correct assembly and correct exploitation. For this reasons we kindly ask to read carefully this instruction and apply to hints.

*The towing hitch should be install in places described by a car producer.*

### NOTE

After install the towing hitch you should get adequate note in registration book (at authorised service station). The car should be equipped with:

- Indicators
- Tow mirrors

After 1000km check all bolts and nuts. The ball of towing hitch must be always kept clear and conserve with a grease.



## PPUH AUTO-HAK S.J.

Produkcja Zaczepów Kulowych  
Henryk i Zbigniew Nejman  
76-200 SŁUPSK ul. Słoneczna 16K  
tel/fax (059) 8-414-414; 8-414-413  
E-mail: [office@autohak.com.pl](mailto:office@autohak.com.pl)  
[www.autohak.com.pl](http://www.autohak.com.pl)

---

### Towing hitch (without electrical set)

Class: **A50-X** Cat. no. **JP05**

Designed for:

Manufacturer: **JEEP**

Model: **WRANGLER (TJ)**

produced since 08.1996 till 03.2007

Technical data:

**D-value: 9,8 kN**

maximum trailer weight: **2000 kg**

maximum vertical cup mass: **80 kg**

**Approval number according to Directive 94/20/EC: e20\*94/20\*0334\*00**

### *Foreword*

This towing hitch is designed according to rules of safety traffic regulations. The towing hitch is a safety component and can be install only by qualified personnel. Any alteration or conversion of the towing hitch is prohibited and would lead to cancellation of design certification. Remove insulating compound and underseal from vehicle (if present) in the area of the matting surfaces of the towing hitch.

The vehicle manufacturer's specifications regarding trailer mass and max. vertical cup mass are decisive for driving whereat values for the towing hitch cannot be exceeded.

*D-value formula:*

$$\frac{\text{Max trailer weight [kg]} \times \text{Max vehicle weight [kg]}}{\text{Max trailer weight [kg]} + \text{Max vehicle weight [kg]}} \times \frac{9,81}{1000} = D \text{ [kN]}$$