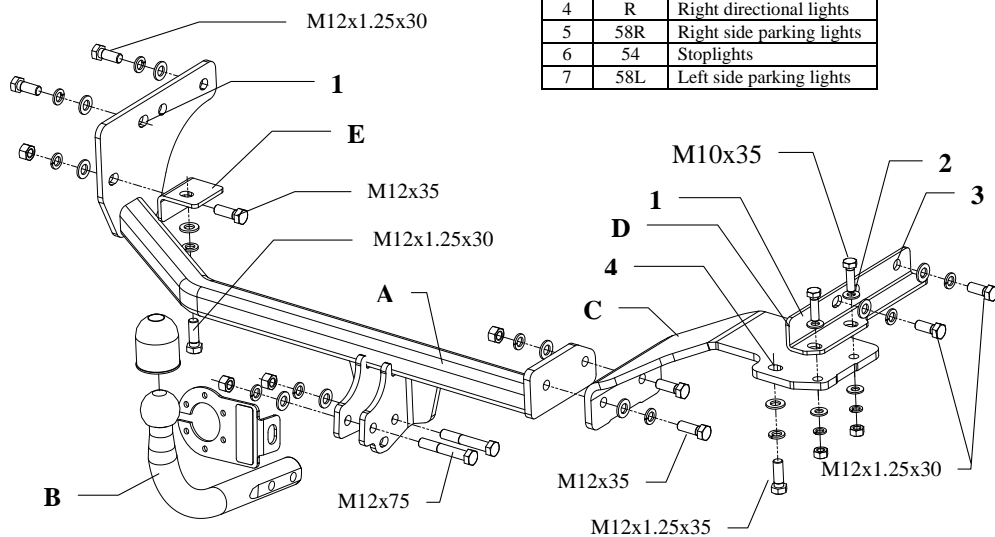


FITTING INSTRUCTION

Clamp mark in acc. with		Cables joining
ISO	PN	
1	L	Left directional lights
2	+	Rear fog lights
3	31	Ground
4	R	Right directional lights
5	58R	Right side parking lights
6	54	Stoplights
7	58L	Left side parking lights



This towing hitch is designed to assembly in following cars:
HYUNDAI LANTRA 4 door (J2), produced since 05.1995 till 10.2000,
 catalogue no. **J44** and is prepared to tow trailers max total weight **1400 kg**
 and max vertical mass **75 kg**.

From manufacturer

Thank you for buying our product. Their reliability has been confirmed in many tests. Reliability of towing hitch depends also on correct assembly and right operation. For this reasons we kindly ask to read carefully this instruction and apply to hints.

The towing hitch should be install in points described by a car producer.

The instruction of the assembly

1. Disassemble a muffler.
2. Disassemble metal reinforcement, placed in central part inside bumper, see figure 2 (not used any more).
3. Cut out fragment of bumper according to figure 3.

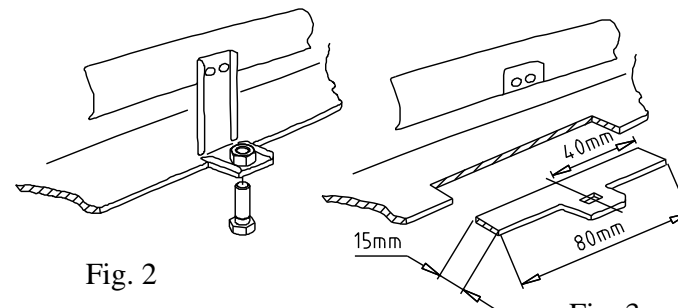


Fig. 2

Fig. 3

4. Fix together elements of towbar (pos. C and D) see figure 1, next through holes pos. 1 and 2 (new model) or holes pos. 1 and 3 (old model) and holes pos. 4 fix this elements through original threaded holes in right chassis member by bolts M12x1.25x30mm.
5. Through holes pos. 5 of main bar (pos. A) fix element pos. E, next apply main bar to chassis and fix it on the left side with the chassis member and on the left side with already mounted elements (pos. C and D) see figure.
6. Fix tow-ball (pos. B) with socket plate using bolts M12x75mm from accessories.
7. Tighten all bolts according to the torque shown in the table.
8. Connect electric wires of 7-poles socket according to the instruction of the car. (Recommend to make at authorized service station).
9. Complete paint layer damaged during installation.

Torque settings for nuts and bolts (8,8):	
M 8 - 25 Nm	M 10 - 55 Nm
M 12 - 85 Nm	M 14 - 135 Nm

NOTE

After install the towing hitch you should get adequate note in registration book (at authorised service station). The car should be equipped with:

- Indicators
- Tow mirrors

After 1000km check all bolts and nuts. The ball of towing hitch must be always kept clear and conserve with a grease.



PPUH AUTO-HAK S.J.

Produkcja Zaczepów Kulowych
Henryk i Zbigniew Nejman
76-200 SŁUPSK ul. Słoneczna 16K
tel/fax (059) 8-414-414; 8-414-413
E-mail: office@autohak.com.pl
www.autohak.com.pl

Towing hitch (without electrical set)

Class: **A50-X** Cat. no. **J44**

Designed for:

Manufacturer: **HYUNDAI**

Model: **LANTRA**

Type: **4 door (J2)**

produced since 05.1995 till 10. 2000

Technical data:

D-value: 7,6 kN

maximum trailer weight: **1400 kg**

maximum vertical cup mass: **75 kg**

Approval number according to Directive 94/20/EC: e20*94/20*0565*00

Foreword

This towing hitch is designed according to rules of safety traffic regulations. The towing hitch is a safety component and can be install only by qualified personnel. Any alteration or conversion of the towing hitch is prohibited and would lead to cancellation of design certification. Remove insulating compound and underseal from vehicle (if present) in the area of the matting surfaces of the towing hitch. The vehicle manufacturer's specifications regarding trailer mass and max. vertical cup mass are decisive for driving whereat values for the towing hitch cannot be exceeded.

D-value formula:

$$\frac{\text{Max trailer weight [kg]} \times \text{Max vehicle weight [kg]}}{\text{Max trailer weight [kg]} + \text{Max vehicle weight [kg]}} \times \frac{9,81}{1000} = D \text{ [kN]}$$