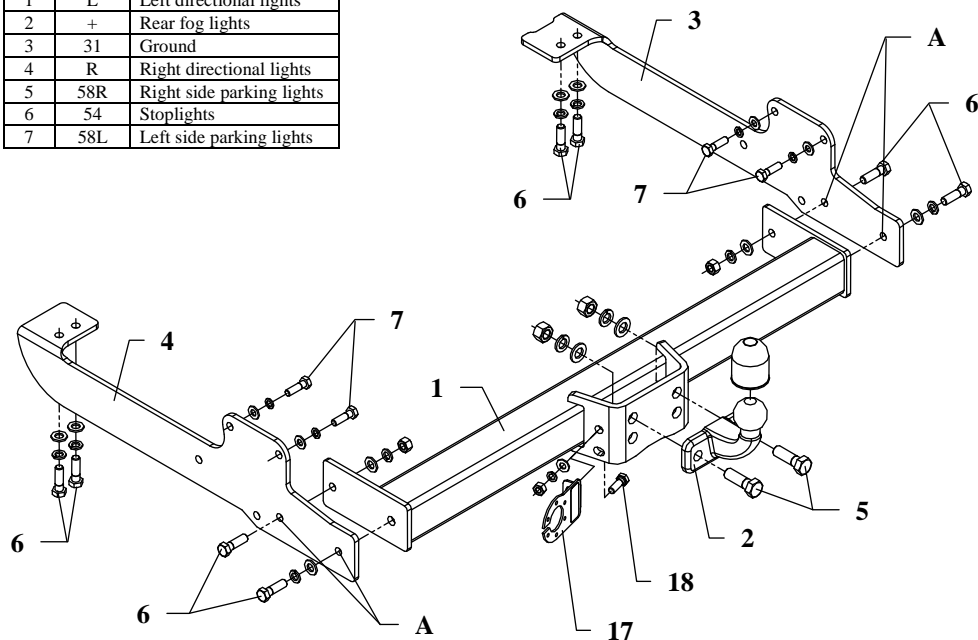


## FITTING INSTRUCTION

| Clamp mark in acc. with |     | Cables joining            |
|-------------------------|-----|---------------------------|
| ISO                     | PN  |                           |
| 1                       | L   | Left directional lights   |
| 2                       | +   | Rear fog lights           |
| 3                       | 31  | Ground                    |
| 4                       | R   | Right directional lights  |
| 5                       | 58R | Right side parking lights |
| 6                       | 54  | Stoplights                |
| 7                       | 58L | Left side parking lights  |



This towing hitch is designed to assembly in following cars: **RENAULT MASTER, loading platform, single wheels**, produced since 01.1998 till 02.2010 and **OPEL MOVANO, loading platform, single wheels**, produced since 07.1998 till 02.2010, catalogue number **G36** and is prepared to tow trailers max total weight **2300 kg** and max vertical load **100 kg**.

### *From manufacturer*

Thank you for buying our product. Their reliability has been confirmed in many tests. Reliability of towing hitch depends also on correct assembly and right operation. For this reasons we kindly ask to read carefully this instruction and apply to hints.

*The towing hitch should be install in points described by a car producer.*

## The instruction of the assembly

1. Fix brackets (pos. 3 and 4) at original threaded holes in chassis frame using bolts M12x35mm (pos. 6) and M10x35mm (pos. 7). See drawing.
2. Between mounted brackets slip main bar of towbar (pos. 1) and fix it by bolts M12x35mm (pos. 6) through holes A.
3. Fix tow-ball (pos. 2) and using bolts M16x50mm (pos. 5) from accessories.
4. Fix socket plate (pos. 17) using bolt M10x30mm (pos. 18).
5. Tighten all bolts according to the torque shown in the table.
6. Connect electric wires of 7-pole socket according to the instruction of the car. (Recommend to make at authorized service station)
7. Complete paint layer damaged during installation.

Torque settings for nuts and bolts (8,8):

|                    |                     |                     |
|--------------------|---------------------|---------------------|
| <b>M6</b> - 11 Nm  | <b>M8</b> - 25 Nm   | <b>M10</b> - 50 Nm  |
| <b>M12</b> - 87 Nm | <b>M14</b> - 138 Nm | <b>M16</b> - 210 Nm |

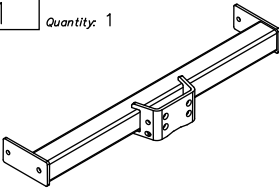
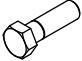

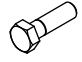

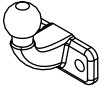


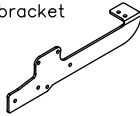

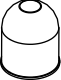
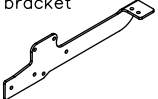

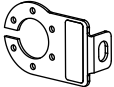
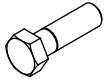

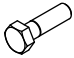


### NOTE

After installation of a towing hitch you should get adequate note in registration book (at authorised service station). The car should be equipped with:

- Indicators
- Tow mirrors

After 1000km of exploitation check all bolts and nuts. The ball of towing hitch must be always kept clear and conserve with a grease.

## Towing hitch accessories:

|  |  |   |
|--|--|---|
| Pos. 1<br>Name: Main bar<br>Quantity: 1<br>                     | Pos. 6<br>Name: Bolt 8,8 B<br>Quantity: 8<br>Dim.: M12x35<br>       | Pos. 13<br>Name: Spring washer<br>Quantity: 2<br>Dim.: Ø 16,3 mm<br> |
|  | Pos. 7<br>Name: Bolt 8,8 B<br>Quantity: 4<br>Dim.: M10x35<br>       | Pos. 14<br>Name: Spring washer<br>Quantity: 8<br>Dim.: Ø 12,2 mm<br> |
| Pos. 2<br>Name: Tow ball<br>Quantity: 1<br>                     | Pos. 8<br>Name: Nut 8 B<br>Quantity: 2<br>Dim.: M16<br>             | Pos. 15<br>Name: Spring washer<br>Quantity: 5<br>Dim.: Ø 10,2 mm<br> |
| Pos. 3<br>Name: Right bracket<br>Quantity: 1<br>                | Pos. 9<br>Name: Nut 8 B<br>Quantity: 2<br>Dim.: M12<br>             | Pos. 16<br>Name: Ball cover<br>Quantity: 1<br>                      |
| Pos. 4<br>Name: Left bracket<br>Quantity: 1<br>                 | Pos. 10<br>Name: Plain washer<br>Quantity: 2<br>Dim.: Ø 17 mm<br>   | Pos. 17<br>Name: Socket plate<br>Quantity: 1<br>PCS: 1<br>          |
| Pos. 5<br>Name: Bolt 8,8 B<br>Quantity: 2<br>Dim.: M16x50mm<br> | Pos. 11<br>Name: Plain washer<br>Quantity: 8<br>Dim.: Ø 13 mm<br>   | Pos. 18<br>Name: Bolt 8,8 B<br>Quantity: 1<br>Dim.: M10x30<br>      |
|  | Pos. 12<br>Name: Plain washer<br>Quantity: 5<br>Dim.: Ø 10,5 mm<br> | Pos. 19<br>Name: Nut 8 B<br>Quantity: 1<br>Dim.: M10<br>             |



**PPUH AUTO-HAK Sp.J.**

Produkcja Zaczepów Kulowych  
Henryk i Zbigniew Nejman  
76-200 SŁUPSK ul. Słoneczna 16K  
tel/fax (059) 8-414-414; 8-414-413  
E-mail: [office@autohak.com.pl](mailto:office@autohak.com.pl)  
[www.autohak.com.pl](http://www.autohak.com.pl)

## Towing hitch (without electrical set)

Class: **A50-X** Cat. no. **G36**

Designed for:

**RENAULT MASTER,**  
loading platform, single wheels,  
produced since 01.1998 till 02.2010  
**OPEL MOVANO,**  
loading platform, single wheels,  
produced since 07.1998 till 02.2010

Technical data:

D-value: **13,62 kN**  
Max. trailer weight: **2300 kg**  
Max. vertical cup load: **100 kg**

Approval number acc. to regulations EKG/ONZ 55.01: **E20-55R-01 1398**

### Foreword

This towing hitch is designed according to rules of safety traffic regulations. The towing hitch is a safety component and can be install only by qualified personnel. Any alteration or conversion of the towing hitch is prohibited and would lead to cancellation of design certification. Remove insulating compound and underseal from vehicle (if present) in the area of the matting surfaces of the towing hitch. The vehicle manufacturer's specifications regarding trailer mass and max. vertical cup mass are decisive for driving whereat values for the towing hitch cannot be exceeded.

*D-value formula:*

$$\frac{\text{Max trailer weight [kg]} \times \text{Max vehicle weight [kg]}}{\text{Max trailer weight [kg]} + \text{Max vehicle weight [kg]}} \times \frac{9,81}{1000} = D \text{ [kN]}$$