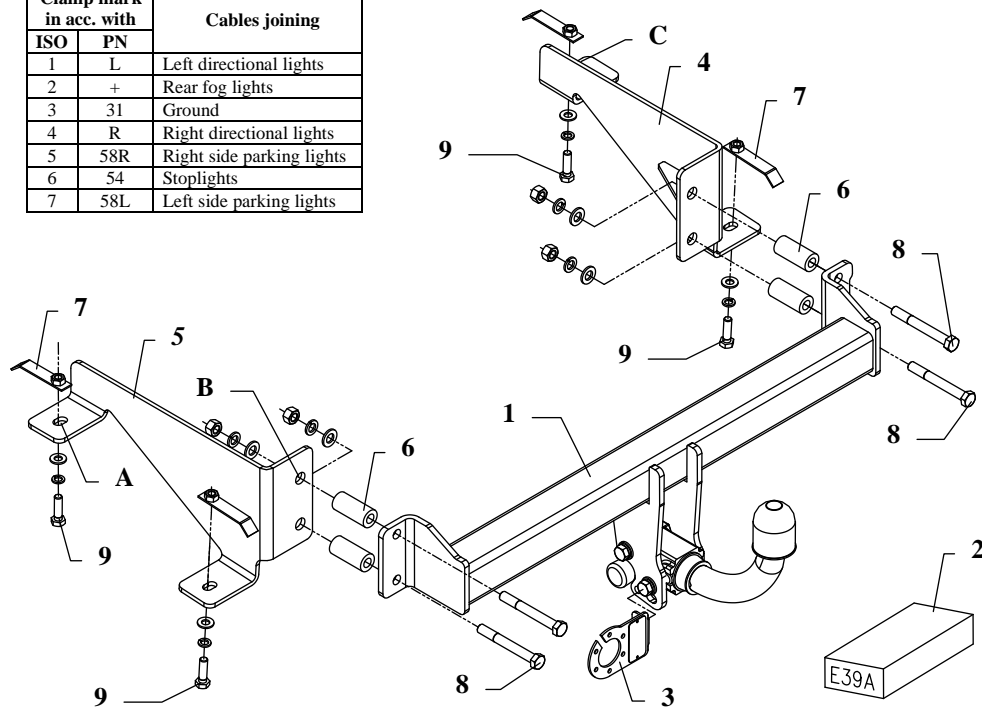


FITTING INSTRUCTION

Clamp mark in acc. with		Cables joining
ISO	PN	
1	L	Left directional lights
2	+	Rear fog lights
3	31	Ground
4	R	Right directional lights
5	58R	Right side parking lights
6	54	Stoptlights
7	58L	Left side parking lights



This towing hitch is designed to assembly in following cars:
OPEL COMBO C, passenger car, delivery van, produced since 03.2002 till 01.2012, catalogue no. **E39A** and is prepared to tow trailers max total weight **1200 kg** and max vertical mass **50 kg**.

From manufacturer

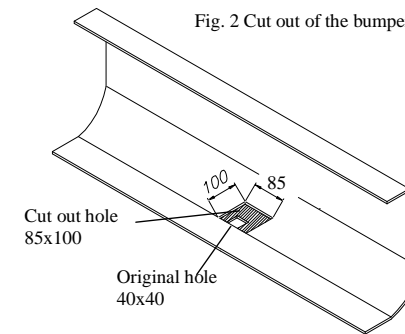
Thank you for buying our product. Their reliability has been confirmed in many tests. Reliability of towbar depends also on correct assembly and right operation. For this reasons we kindly ask to read carefully this instruction and apply to hints.

The towbar should be installed in points described by a car producer.

The instruction of the assembly

1. Disassemble the bumper and aluminium support.
2. Drill the holes $\varnothing 25$ mm in the rear panel (holes are factory marked).
3. Put the distance sleeves $L=56$ mm (pos. 6) to the drilled holes.
4. Reassemble the aluminium support.
5. Position the element (pos. 5) to the car frame.
6. Left side - fix using M10x35mm (pos. 9) with jib with the nut M10 (pos. 7), which should be slide through the elongated holes (holes A and B should match with original holes).
7. Right side - do the same what on the left side after drilling hole $\varnothing 11$ mm through hole (pos. C) and element (pos. 4).
8. Position the main bar of the towing hitch (pos. 1) to the rear panel and fix it through the slided distance sleeves and elements (pos. 4 and 5) using bolts M12x100mm (pos. 8).
9. Reassemble the bumper after cut out its fragment (see fig. 2).

Fig. 2 Cut out of the bumper



10. Tighten all nuts and bolts according to the torque shown in the table.
11. Fix body of the automat and place tow-ball according to supplied instruction. Note! Remember to place socket plate (pos. 3) as shown on the drawing 1.
12. Connect to the electric wires according to the instructions of the car.
13. Complete the paint cover of towbar (during the mounting paint cover could be destroyed).

Torque settings for nuts and bolts (8,8):

M6 - 11 Nm	M8 - 25 Nm	M10 - 50 Nm
M12 - 87 Nm	M14 - 138 Nm	M16 - 210 Nm

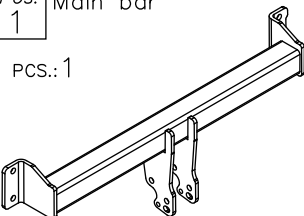
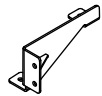

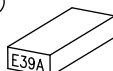
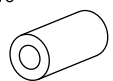
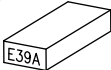
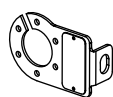
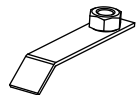
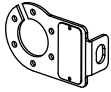
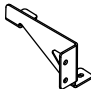
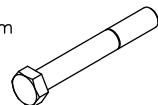

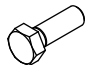

NOTE

After install the towbar you should get adequate note in registration book (at authorised service station). The car should be equipped with:

- Indicators
- Tow mirrors

After 1000km of exploitation check all bolts and nuts. The ball of towbar must be always kept clear and conserve with a grease.

Towing hitch accessories:

Pos. 1 Main bar PCS.: 1	Pos. 5 Left bracket PCS.: 1	Pos. 10 Nut 8 B M12 PCS.: 4
		
Pos. 2 Tow ball (mounting set) PCS.: 1	Pos. 6 Distance sleeve ø25xø13mm L=56mm PCS.: 4	Pos. 11 Washer ø13mm PCS.: 4
		
Pos. 3 Socket plate PCS.: 1	Pos. 7 Jib with the nut M10 PCS.: 4	Pos. 12 Washer ø10.5mm PCS.: 4
		
Pos. 4 Right bracket PCS.: 1	Pos. 8 Bolt 8,8 B M12x100mm PCS.: 4	Pos. 13 Spring washer ø12.2mm PCS.: 4
		
	Pos. 9 Bolt 8,8 B M10x35mm PCS.: 4	Pos. 14 Spring washer ø10.2mm PCS.: 4
		



PPUH AUTO-HAK S. J.

Produkcja Zaczepów Kulowych
Henryk i Zbigniew Nejman
76-200 SŁUPSK ul. Słoneczna 16K
tel/fax (059) 8-414-414; 8-414-413
E-mail: office@autohak.com.pl
www.autohak.com.pl

Towing hitch (without electrical set)

Class: **A50-X** Cat. no. **E39A**

Designed for:

Manufacturer: **OPEL**

Model: **COMBO**

Type: **C, passenger car, delivery van**

produced since 03.2002 till 01.2012

Technical data:

maximum D-value: **7,49 kN**

maximum trailer weight: **1200 kg**

maximum vertical cup mass: **50 kg**

Approval number according to Directive 94/20/EC: e20*94/20*1075*00

Foreword

This towing hitch is designed according to rules of safety traffic regulations. The towing hitch is a safety component and can be install only by qualified personnel. Any alteration or conversion of the towing hitch is prohibited and would lead to cancellation of design certification. Remove insulating compound and underseal from vehicle (if present) in the areas of the matting surfaces of the towing hitch. The vehicle manufacturer's specifications regarding trailer load and max. vertical cup mass are decisive for driving whereat values for the towing hitch cannot be exceeded.

D-value formula:

$$\frac{\text{Max trailer weight [kg]} \times \text{Max vehicle weight [kg]}}{\text{Max trailer weight [kg]} + \text{Max vehicle weight [kg]}} \times \frac{9,81}{1000} = D \text{ [kN]}$$